

EBOX-336x Series

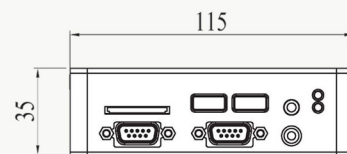
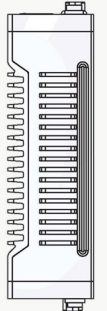
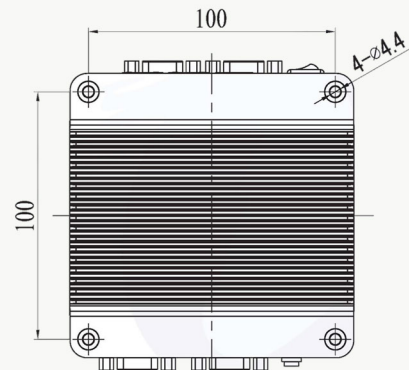
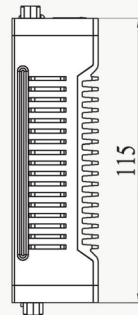
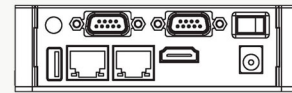
Hundreds of Possibilities

EBOX 336x Series integrates an ultra-low power DM&P Vortex86DX3 Dual Core SoC with 1GB/2GB DDR3 RAM onboard All-in-One Module. Standard options are built in Multi-COM Ports such as RS-232/485/422 plus CANbus, GPIO interface and one up to three LAN ports.

Perfect platform for IoT, M2M, Industry 4.0, Home Automation Security, Point-of-sales, Public transportation and many other more.

Features

DM&P Vortex86DX3 Dual core 1.0GHz SoC
Multi-LAN, Multi-COM functions support
Fanless, 100 x 100mm VESA support
SATA, mPCIe interface support
Auto Power On support



EBOX-336x Series

System Specifications

Processor	DM&P 32-bit x86 Dual Core Vortex86DX3 1.0GHz SoC	
BIOS	AMI BIOS	
Memory	Onboard 1GB/2GB DDR3-1600MHz	
Storage	SATA/ mPCIe	SATA Gen1 x1, 7-pin internal/Standard Mini PCIe x1
	SD	SD Slot x1 (SD, SDHC)/Internal SD (Optional)
Display	VGA	Integrated Graphics Chip/D-Sub 15-pin (MAX.1920 × 1080 pixels)
	HDMI	HDMI V1.4 (MAX. 1920 x 1080 pixels)
USB	USB V2.0 x3 (Front x2, Rear x1, Internal x1)	
HD Audio	Realtek ALC262VD Line-out/Mic-in (Optional)	
Ethernet	RDC R6040 10/100 Mbps LAN x1 (RJ-45 connector, Built-in PXE diskless boot)	
	Realtek 8111F GBE 1 Gbps LAN x1/LAN x2 (Optional)	
COM	DB9 RS-232/485/422/8-bit GPIO/CANbus (Optional TTL RS-232)	
Power	DC +8V~+24V	
Dimension	115 x 115 x 35mm	
Mounting	VESA 100 x 100mm/DIN Rail Support (Optional)	
Auto Power On	Support	
Weight	510g	
Operating Temp.	0-60°C/-20°C~+70°C	
Certifications	CE, FCC, VCCI	
OS Support	Windows 7, WES7, Windows XP, XPe, CE6.0, Compact7 and Linux	

